

Product Discontinuation Notices

July 4, 2011

Safety Application Controllers

No. 2011188E

Discontinuation Notice of Safety Relay Unit CS1W-SF200

Product Discontinuation

Safety Relay Unit



CS1W-SF200

Recommended Replacement

Safety Relay Unit



G9SA-301

Discontinuation date : The end of March, 2012

Caution on recommended replacement

- Product dimension is different.
- Mounting dimension is different.
- Terminal allocation is different.

Difference from discontinued product

Model	Body Color	Dimensions	Wire connection	Mounting Dimensions	Characteristics	Operation ratings	Operation methods
G9SA-301	-	-	-	-	*	*	*

** : Fully compatible

* : The change is a little/Almost compatible



-- : Not compatible

- : No corresponding specification

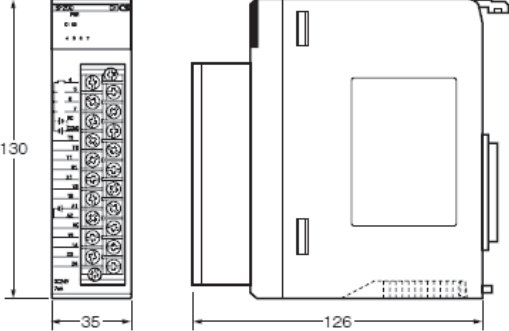
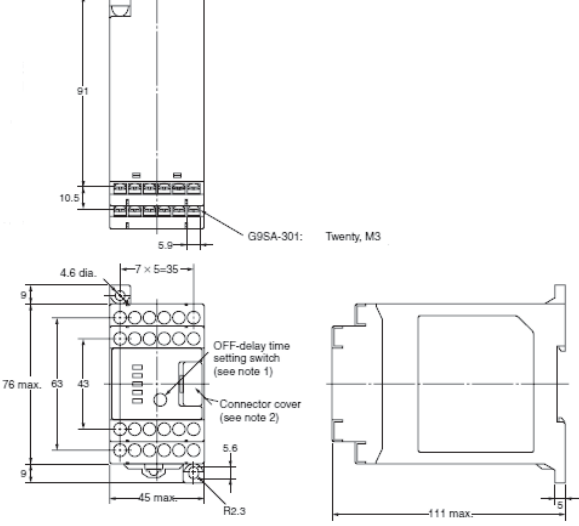
Product Discontinuation and recommended replacement

Product discontinuation	Recommended replacement
CS1W-SF200	G9SA-301 AC/DC24V

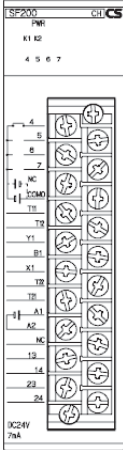
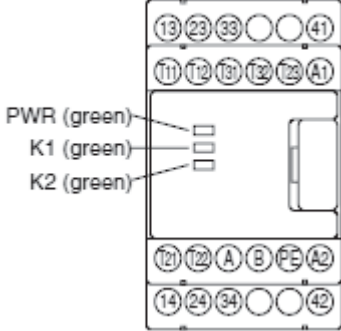
Body color

Product discontinuation CS1W-SF200	Recommended replacement G9SA-301
	

Dimensions

Product discontinuation CS1W-SF200	Recommendable replacement G9SA-301
	 <p>Note 1: The OFF-delay time setting switch is found on the G9SA-321-T□ only.</p> <p>Note 2: The K1 to K4 indicators light when the NO contacts of internal relays K1 to K4 close.</p> <p>Note 3: Do not remove unless an Expansion Unit is being used.</p>

Wire Connection

Product discontinuation CS1W-SF200	Recommended replacement G9SA-301
	

Mounting dimensions

Product discontinuation CS1W-SF200	Recommended replacement G9SA-301
Based on the mounting of CS1 series	DIN rail

Operation ratings

Product discontinuation CS1W-SF200	Recommended replacement G9SA-301											
<p>[Input] Input current: 75mA max.</p> <p>[Contacts]</p> <table border="1" data-bbox="201 1630 975 1778"> <thead> <tr> <th rowspan="2">Item</th> <th colspan="2">CS1W-SF200</th> </tr> <tr> <th>Resistive load</th> <th>Inductive load</th> </tr> </thead> <tbody> <tr> <td>Rated load</td> <td>250 VAC, 5 A 30 VDC, 5 A</td> <td>15 VAC: 240 VAC, 2 A (cosφ=0.3) 13 VDC: 24 VDC, 1 A (L/R=48 ms)</td> </tr> <tr> <td>Rated carry current</td> <td>5 A</td> <td>5 A</td> </tr> </tbody> </table>	Item	CS1W-SF200		Resistive load	Inductive load	Rated load	250 VAC, 5 A 30 VDC, 5 A	15 VAC: 240 VAC, 2 A (cosφ=0.3) 13 VDC: 24 VDC, 1 A (L/R=48 ms)	Rated carry current	5 A	5 A	<p>[Input] See note. Input current: 40mA max. Note: When an Expansion Unit is connected, the input current is increased by 30mA max.</p> <p>[Contacts] Rated load: 250VAC, 5A 30VDC, 5A Rated carry current: 5A</p>
Item		CS1W-SF200										
	Resistive load	Inductive load										
Rated load	250 VAC, 5 A 30 VDC, 5 A	15 VAC: 240 VAC, 2 A (cosφ=0.3) 13 VDC: 24 VDC, 1 A (L/R=48 ms)										
Rated carry current	5 A	5 A										