

Product Discontinuation Notices

June 1, 2009

Photomicro Sensors

No.2009189E

Photomicro Sensors EE-SY124 series Product Discontinuation Announcement

Product Discontinuation

Photomicro Sensors

Recommended Replacement

Photomicro Sensors



Model EE-SY124 series

Model EE-SY171

Model EE-SY199

(EE-SY199 will be released at Dec.2009)

Discontinuation date : The end of March, 2010

Caution on recommended replacement

Could you please confirm Dimension and Specifications of the EE-SY124 and recommended type before your new designing. Since the EE-SY124 and recommended type are not complete same size and Spec. And the EE-SY199 will be released at Dec.2009 but when you need this sensor samples for new designing, could you please contact with our sales staff.

Difference from discontinued product

Model	Body Color	Dimensions	Wire connection	Mounting Dimensions	Characteristics	Operation ratings	Operation methods
EE-SY171	**	--	--	--	*	*	*
EE-SY199	**	--	--	--	*	*	*

** : Fully compatible

* : The change is a little/Almost compatible

-- : Not compatible

- : No corresponding specification

Product Discontinuation and recommended replacement

Product discontinuation	Recommended replacement
EE-SY124 series	EE-SY171
	EE-SY199 (EE-SY199 will be released at Dec.2010)

Dimensions

<EE-SY124 series and EE-SY171>

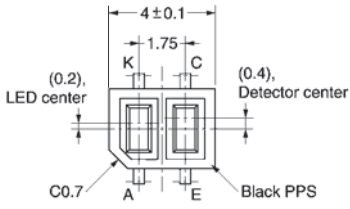
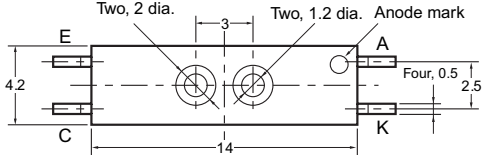
Product discontinuation EE-SY124 series	Recommendable replacement EE-SY171 series

<EE-SY124 series and EE-SY199>

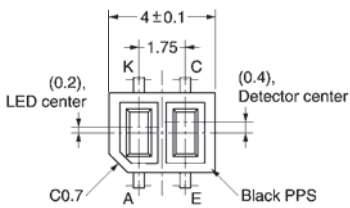
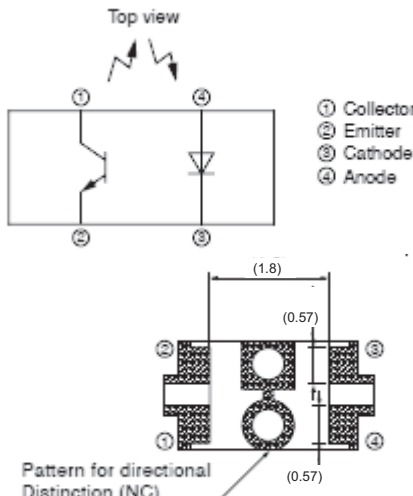
Product discontinuation EE-SY124 series	Recommendable replacement EE-SY199 series (this sensor will be released at Dec.2009)

Terminal dimension

<EE-SY124 series and EE-SY171>

Product discontinuation EE-SY124 series	Recommendable replacement EE-SY171 series																				
 <p>PIN ASSIGNMENT</p> <table border="1"> <thead> <tr> <th>Terminal No.</th> <th>Name</th> </tr> </thead> <tbody> <tr> <td>A</td> <td>Anode</td> </tr> <tr> <td>K</td> <td>Cathode</td> </tr> <tr> <td>C</td> <td>Collector</td> </tr> <tr> <td>E</td> <td>Emitter</td> </tr> </tbody> </table>	Terminal No.	Name	A	Anode	K	Cathode	C	Collector	E	Emitter	 <p>PIN ASSIGNMENT</p> <table border="1"> <thead> <tr> <th>Terminal No.</th> <th>Name</th> </tr> </thead> <tbody> <tr> <td>A</td> <td>Anode</td> </tr> <tr> <td>K</td> <td>Cathode</td> </tr> <tr> <td>C</td> <td>Collector</td> </tr> <tr> <td>E</td> <td>Emitter</td> </tr> </tbody> </table>	Terminal No.	Name	A	Anode	K	Cathode	C	Collector	E	Emitter
Terminal No.	Name																				
A	Anode																				
K	Cathode																				
C	Collector																				
E	Emitter																				
Terminal No.	Name																				
A	Anode																				
K	Cathode																				
C	Collector																				
E	Emitter																				

<EE-SY124 series and EE-SY199>

Product discontinuation EE-SY124 series	Recommendable replacement EE-SY199 series (this sensor will be released at Dec.2009)										
 <p>PIN ASSIGNMENT</p> <table border="1"> <thead> <tr> <th>Terminal No.</th> <th>Name</th> </tr> </thead> <tbody> <tr> <td>A</td> <td>Anode</td> </tr> <tr> <td>K</td> <td>Cathode</td> </tr> <tr> <td>C</td> <td>Collector</td> </tr> <tr> <td>E</td> <td>Emitter</td> </tr> </tbody> </table>	Terminal No.	Name	A	Anode	K	Cathode	C	Collector	E	Emitter	
Terminal No.	Name										
A	Anode										
K	Cathode										
C	Collector										
E	Emitter										

Packaging and Minimum order Qty.

	EE-SY124 series	EE-SY171	EE-SY199 (this sensor will be released at Dec.2009)
Packaging	50pcs.in each stick and Max.80 sticks per 1 packaging box	25pcs. in each bag and 10bag per 1 packaging box	2000pcs. per 1 reel and Aluminum damp proofing packing
Minimum order Qty.	2000pcs.	250pcs.	2000pcs.

Absolute Maximum Ratings (Ta=25°C)

Item	Model to be discontinued EE-SY124 series	Recommended replacement EE-SY171	Recommended replacement EE-SY199 (this sensor will be released at Dec.2009)
Forward current	50mA	50mA	50mA
Reverse voltage	4V	4V	6V
Collector-Emitter voltage	30V	30V	35V
Emitter-Collector voltage	5V	-	6V
Collector current	20mA	20mA	20mA
Collector dissipation	75mW	100mW	75mW
Operating temperature	-25 to +85°C	-40 to +85°C	-25 to +85°C
Storage temperature	-40 to +100°C	-40 to +85°C	-40 to +100°C
Soldering temperature	260°C max. less than 5 sec.	260°C max. less than 10 sec.	260°C max. less than 3 sec. 240°C max. less than 10 sec.

Characteristics (Ta=25°C)

<EE-SY124 series and EE-SY171>

Item	Model to be discontinued EE-SY124 series			Recommended replacement EE-SY171		
	MIN.	TYP.	MAX.	MIN.	TYP.	MAX.
Forward voltage	-	1.2V	1.4V	-	1.2V	1.4V
	Condition : IF=20mA			Condition : IF=20mA		
Reverse current	-	0.01μA	10μA	-	-	10μA
	Condition : VR=4V			Condition : VR=6V		
Peak emission wavelength	-	900nm	-	-	950nm	-
	Condition : IF=4mA			Condition : IF=4mA		
Light current	50μA	-	300μA	40μA	85μA	130μA
	Condition : IF=4mA, VCE=2V Sensing object: Aluminum-deposited surface Sensing distance:1mm			Condition : IF=20mA, VCE=10V Sensing object: White paper with a 90% reflection ratio Sensing distance:3.5mm		
Dark current	-	2nA	200nA	-	2 nA	200 nA
	Condition : VCE=10V, 0lx			Condition : VCE=10V, 0lx		
Collector-Emitter saturated voltage	-	-	-	-	-	-
Rising time tr	-	35μs	-	-	20μs	100μs
	Condition : VCC=2V, RL=1kΩ, IF=100μA			Condition : VCC=2V, RL=1kΩ, IF=100μA		
Falling time tf	-	25μs	-	-	20 μs	100 μs
	Condition : VCC=2V, RL=1kΩ, IF=100μA			Condition : VCC=2V, RL=1kΩ, IF=100μA		

Characteristics (Ta=25°C)

<EE-SY124 series and EE-SY199>

Item	Model to be discontinued EE-SY124 series			Recommended replacement EE-SY199 (this sensor will be released at Dec.2009)		
	Value			Value		
	MIN.	TYP.	MAX.	MIN.	TYP.	MAX.
Forward voltage	-	1.2V	1.4V	-	1.2V	1.4V
	Condition : IF=20mA			Condition : IF=20mA		
Reverse current	-	0.01μA	10μA	-	0.01μA	10μA
	Condition : VR=4V			Condition : VR=6V		
Peak emission wavelength	-	950nm	-	-	950nm	-
	Condition : IF=4mA			Condition : IF=4mA		
Light current	50μA	-	300μA	40μA	85μA	130μA
	Condition : IF=4mA, VCE=2V Sensing object: Aluminum-deposited surface Sensing distance:1mm			Condition : IF=4mA, VCE=2V Sensing object: Aluminum-deposited surface Sensing distance:1mm		
Dark current	-	2nA	200nA	-	1nA	100nA
	Condition : VCE=10V, 0lx			Condition : VCE=20V, 0lx		
Collector-Emitter saturated voltage	-	-	-	-	-	-
Rising time tr	-	35μs	-	-	20μs	100μs
	Condition : VCC=2V, RL=1kΩ, IF=100μA			Condition : VCC=2V, RL=1kΩ, IF=100μA		
Falling time tf	-	25μs	-	-	20μs	100μs
	Condition : VCC=2V, RL=1kΩ, IF=100μA			Condition : VCC=2V, RL=1kΩ, IF=100μA		