

Discontinuation Notice of Fan Type Ionizer Model ZJ-FA10 series.

Product Discontinuation

Ionizer (Advanced Fan Type)

Recommended Replacement

Ionizer (Basic Fan Type)



**Model ZJ-FA10(-01)
Model ZJ-FA10V(-1/-D/-D1)**



Model ZJ-FA20

Pipe-mounting Bracket



**Model ZJ9-FA-BR01
Model ZJ9-FA-BR02**



No recommended replacement

Replacement Filters

Replacement Filters



**Model ZJ9-FL92
(for Model ZJ-FA10 Series)**



**Model ZJ9-FL120N1
(for Model ZJ-FA20)**

Replacement Dischargers

Replacement Dischargers



**Model ZJ9-NDT08F
(for Model ZJ-FA10 Series)**



**Model ZJ9-NDT06FN1
(for Model ZJ-FA20)**

[Discontinuation date]

The end of March, 2014

[Caution on recommended replacement]

There is not compatibility in discharge needles either.

[Difference from discontinued product]

Recommended replacement Model	Body Color	Dimensions	Wire connection	Mounting Dimensions	Characteristics	Operation ratings	Operation methods
ZJ-FA20	--	--	--	--	--	*	*
ZJ9-FL120N1	*	--	-	-	-	-	-
ZJ9-NDT06FN1	*	--	-	-	-	-	-

** : Fully compatible

* : The change is a little/Almost compatible




-- : Not compatible

- : No corresponding specification

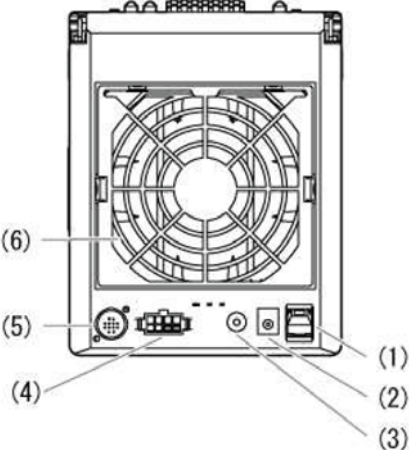
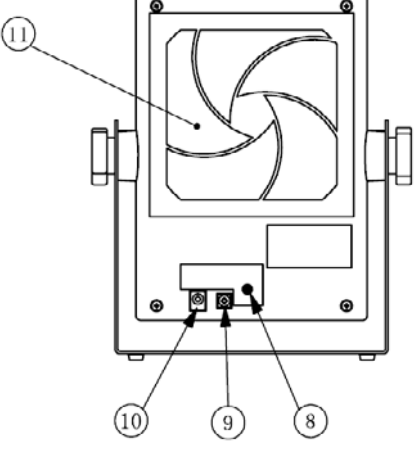
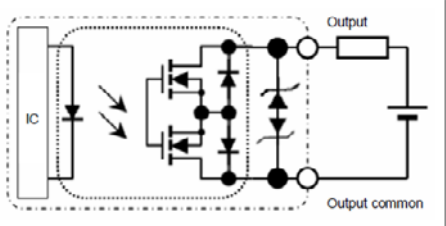
[Product Discontinuation and recommended replacement]

Product discontinuation	Recommended replacement
ZJ-FA10	ZJ-FA20
ZJ-FA10-01	ZJ-FA20
ZJ-FA10V	ZJ-FA20
ZJ-FA10V-1	ZJ-FA20
ZJ-FA10V-D	ZJ-FA20
ZJ-FA10V-D1	ZJ-FA20
ZJ9-FA-BR01	No recommended replacement
ZJ9-FA-BR02	No recommended replacement
ZJ9-FL92 (Replaceable Filter for ZJ-FA10 Series)	ZJ9-FL120N1(Replaceable Filter for ZJ-FA20)
ZJ9-NDT08F (Replaceable Discharge Needle for ZJ-FA10 Series)	ZJ9-NDT06FN1 (Replaceable Discharge Needle for ZJ-FA20)

[Body color]

Product discontinuation	Recommendable replacement
<p>Model ZJ-FA10(-01)</p>  <p>Model ZJ-FA10V(-1-D/-D1)</p> 	<p>Model ZJ-FA20</p> 

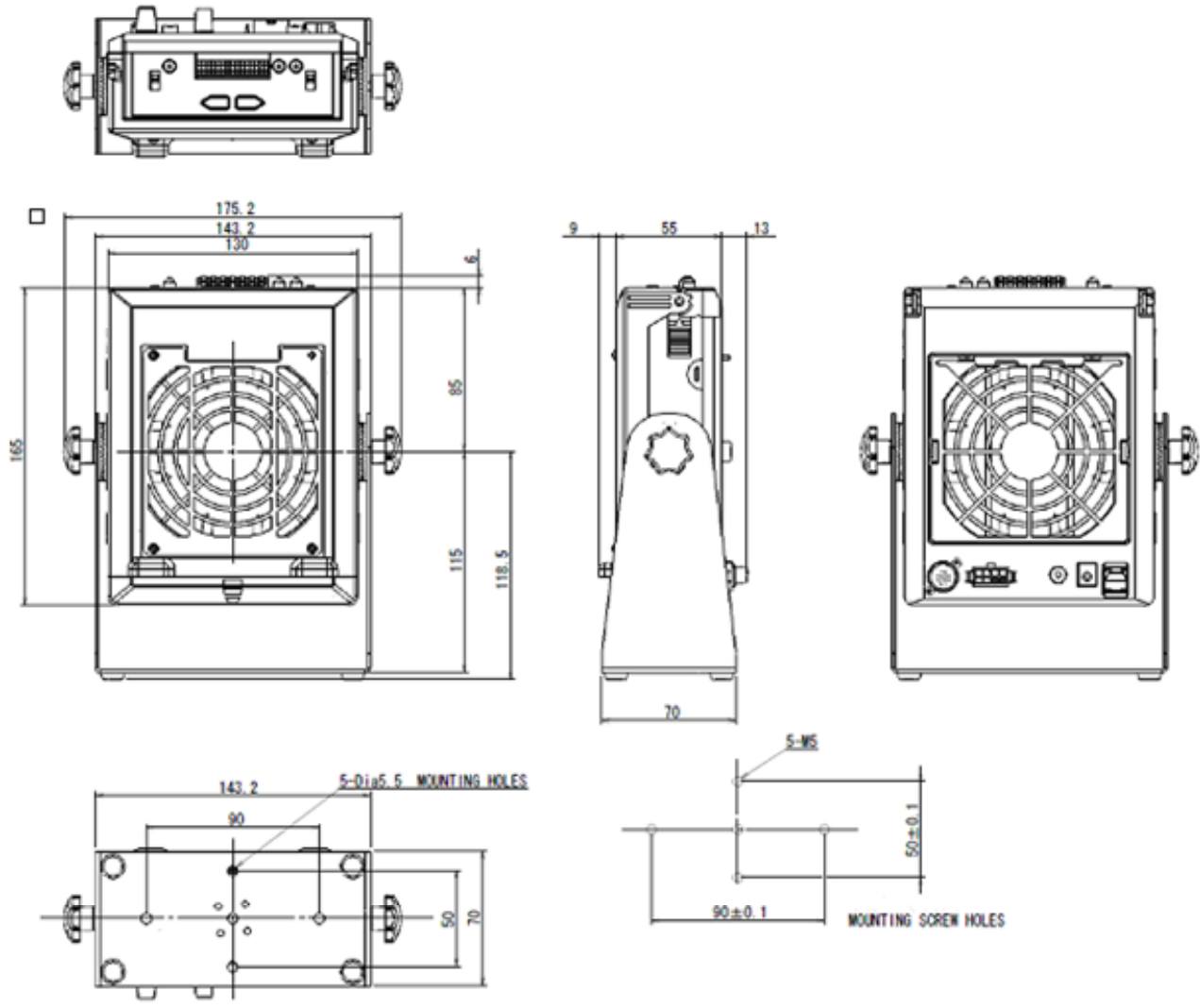
[Wire connection]

<p>Product discontinuation Model ZJ-FA10(-01) Model ZJ-FA10V(-1/-D/-D1)</p>	<p>Recommendable replacement Model ZJ-FA20</p>																																		
<p>Terminal</p>  <p>(2) AC adaptor connector (3) Ground terminal (4) Input/Output connector (5) Static electricity sensor connector</p>	<p>Terminal</p>  <p>(9) Ground terminal (10) Power in connector (DC-in)</p>																																		
<p>Wire Connection</p> <p>(1) Wire Color and Assignment</p> <table border="1" data-bbox="164 1014 770 1167"> <thead> <tr> <th>CN No.</th> <th>Color</th> <th>Assign</th> <th>CN No.</th> <th>Color</th> <th>Assignment</th> </tr> </thead> <tbody> <tr> <td>1</td> <td>Orange</td> <td>NC</td> <td>5</td> <td>Red</td> <td>Error output</td> </tr> <tr> <td>2</td> <td>Brown</td> <td>DC24V</td> <td>6</td> <td>Gray</td> <td>Cleaning notice output</td> </tr> <tr> <td>3</td> <td>Black</td> <td>FG</td> <td>7</td> <td>Yellow</td> <td>Cleaning alarm output</td> </tr> <tr> <td>4</td> <td>Blue</td> <td>0V</td> <td>8</td> <td>White</td> <td>Output common</td> </tr> </tbody> </table> <p>(2) Output specification</p> <table border="1" data-bbox="164 1211 770 1267"> <tr> <td>Output voltage</td> <td>DC30V</td> </tr> <tr> <td>Load current</td> <td>300mA max.</td> </tr> </table> <p>Internal circuit</p> 		CN No.	Color	Assign	CN No.	Color	Assignment	1	Orange	NC	5	Red	Error output	2	Brown	DC24V	6	Gray	Cleaning notice output	3	Black	FG	7	Yellow	Cleaning alarm output	4	Blue	0V	8	White	Output common	Output voltage	DC30V	Load current	300mA max.
CN No.	Color	Assign	CN No.	Color	Assignment																														
1	Orange	NC	5	Red	Error output																														
2	Brown	DC24V	6	Gray	Cleaning notice output																														
3	Black	FG	7	Yellow	Cleaning alarm output																														
4	Blue	0V	8	White	Output common																														
Output voltage	DC30V																																		
Load current	300mA max.																																		

[Dimensions / Mounting dimensions]

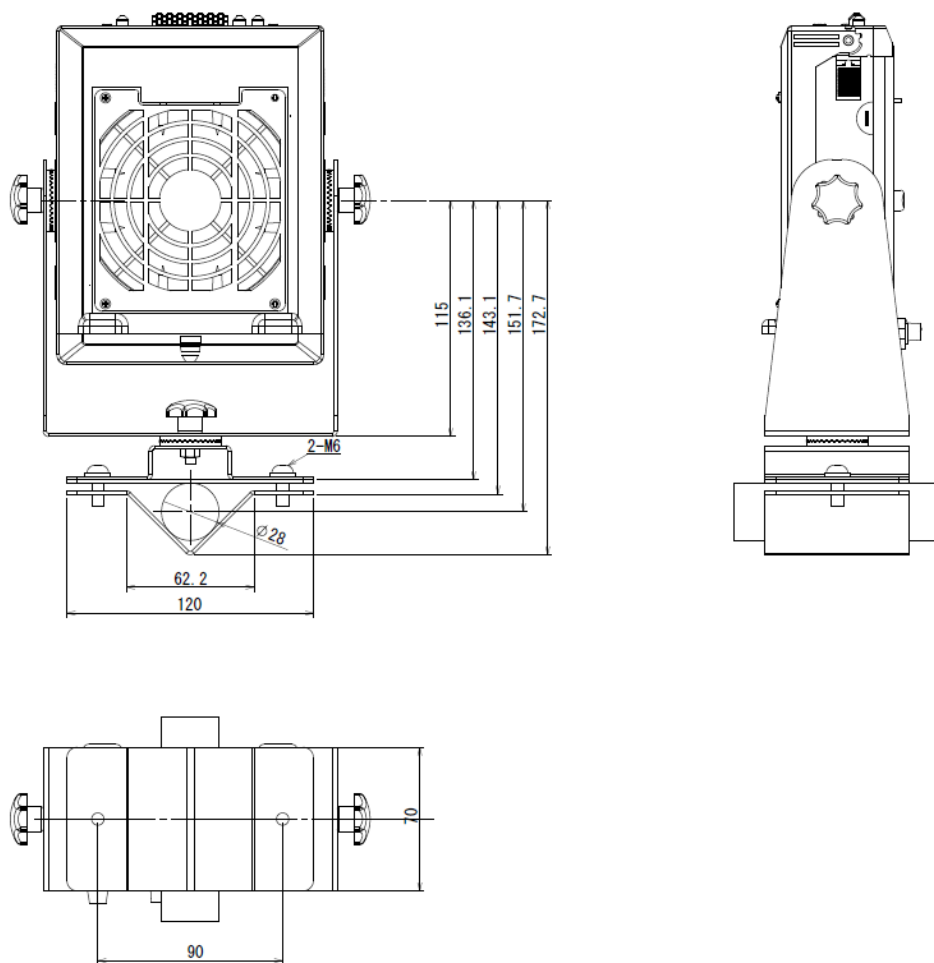
Product discontinuation
 Model ZJ-FA10(-01)
 Model ZJ-FA10V(-1/-D/-D1)

Model ZJ-FA10(-01)



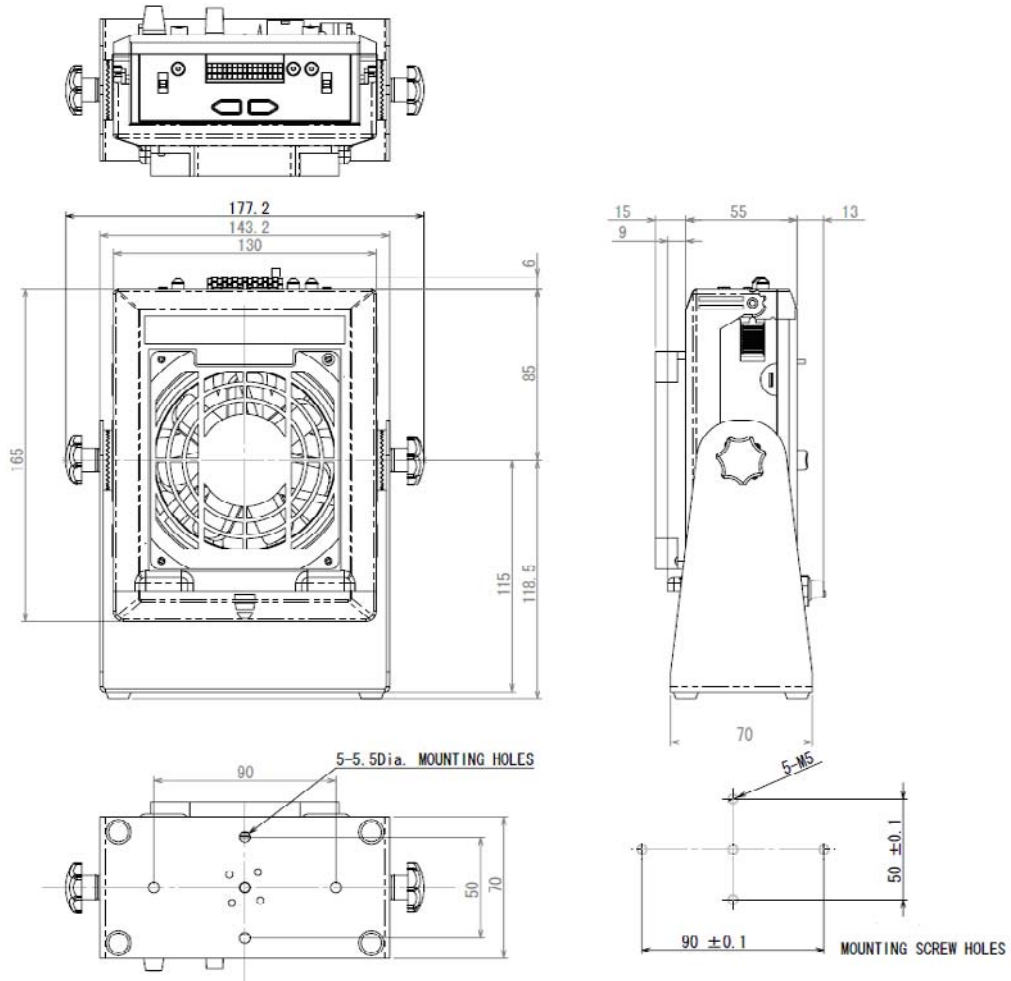
Product discontinuation
 Model ZJ-FA10(-01)
 Model ZJ-FA10V(-1/-D/-D1)

Model ZJ-FA10(-01) when optional bracket ZJ9-FA-BR01 is used



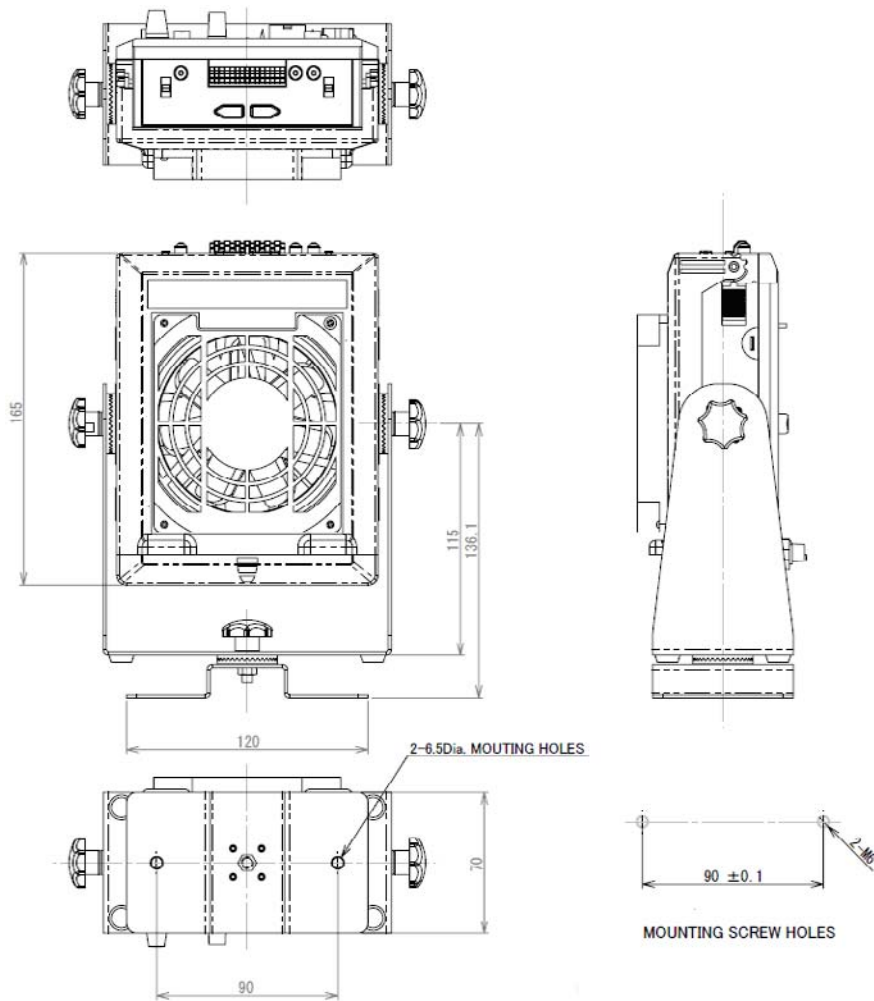
Product discontinuation
 Model ZJ-FA10(-01)
 Model ZJ-FA10V(-1/-D/-D1)

Model ZJ-FA10V(-1/-D/-D1)

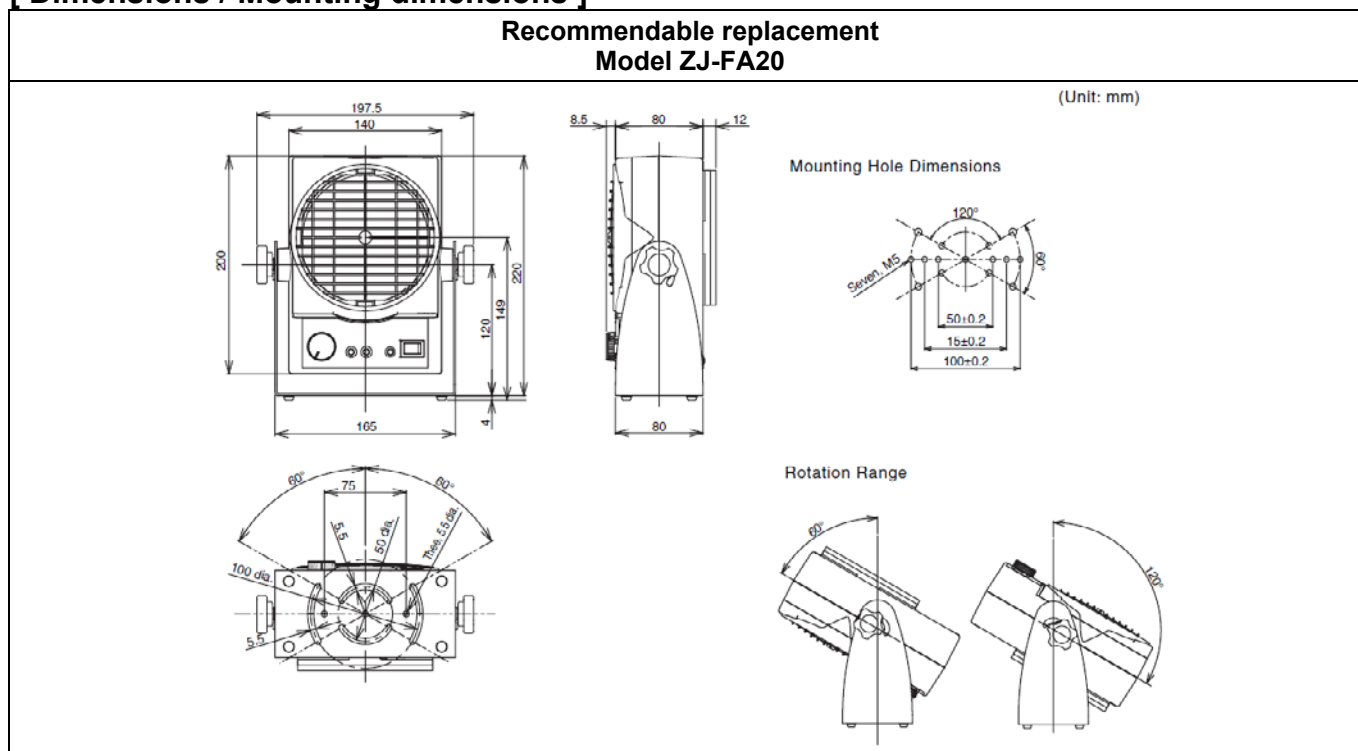


Product discontinuation
 Model ZJ-FA10(-01)
 Model ZJ-FA10V(-1/-D/-D1)

Model ZJ-FA10V(-1/-D/-D1) when optional bracket ZJ9-FA-BR02 is used



[Dimensions / Mounting dimensions]



[Characteristics]

Item	Product discontinuation		Recommendable replacement Model ZJ-FA20
	Model ZJ-FA10(-01)	Model ZJ-FA10V(-1/-D/-D1)	
Discharge time (*1)	Within 3.0 seconds	Within 2.0 seconds	1.2 seconds (*2)
Power supply voltage	24 VDC ±10% ripple (peak-to-peak) 10% or less		24 VDC (*3)
Current consumption	600 mA max.	800 mA max.	900 mA max. (*3)
Output voltage	7.0 KV max.		7.0 KV max.
Airflow	1.8 m ³ /min max.	2.73 m ³ /min max.	1.4 to 2.3 m ³ /min (*2)
Amount of generated ozone	0.01 ppm or less (measured at 10 mm from blow-off port)		0.01 ppm or less (measured at 50 mm from blow-off port)
Ambient temperature	Operating/storage: 0 to 50°C (with no icing or condensation)		Operating / storage: 0 to 50°C (with no icing or condensation)
Ambient humidity	Operating/storage: 35 to 65%RH (with no condensation)		Operating: 35 to 65%RH Storage: 35 to 85%RH (with no condensation)
Weight (In a packed state)	Approx. 2.7 kg	Approx. 3 kg	Approx. 2.0 kg
Indicators	Power lamp: green Cleaning notice/alarm lamp: orange/red High-voltage output operation lamp: red Indicator: red, orange, yellow, green		Power indicator: green High-voltage output operation indicator: yellow Cleaning indicator: orange
External output	Operation output: output by photo MOS relay (30 VDC, 300 mA max.)		---
Materials	Case: ABS Discharge needles: Tungsten		Case: ABS Discharge needles: Tungsten
Accessories	Instruction Sheets, Warning labels, Input/output cable, AC adapter (Type(D): not included)		Instruction Sheets, Warning labels (2types), AC adapter, FG connection cable(2m)

(*1) Center of blow-off port, at a distance of 300 mm

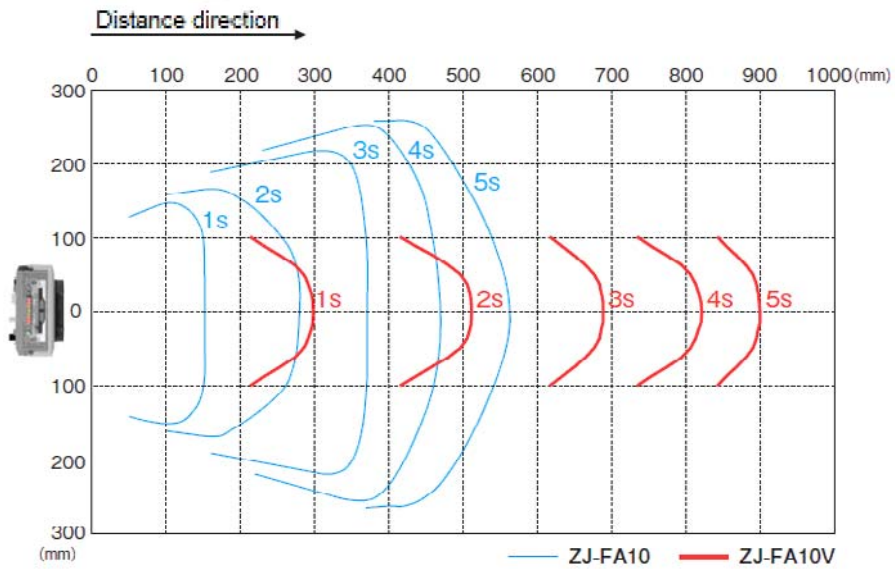
(*2) Typical default settings

(*3) Be sure to use the included AC adapter for Ionizer operation.

[Operation ratings]

Product discontinuation
Model ZJ-FA10(-01)
Model ZJ-FA10V(-1/-D/-D1)

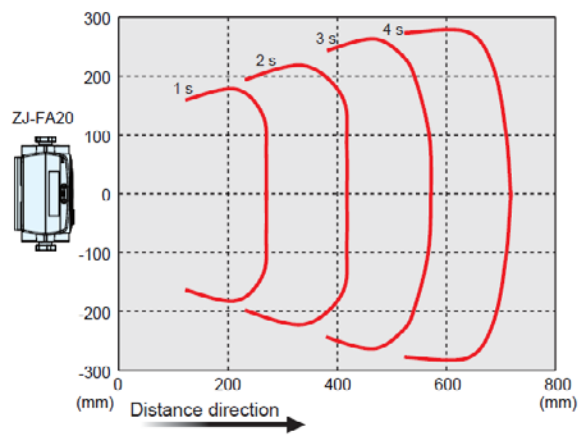
Ionization Area vs. Ionization Time



[Operation ratings]

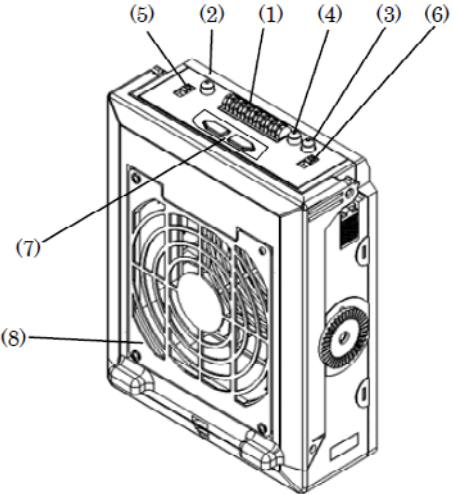
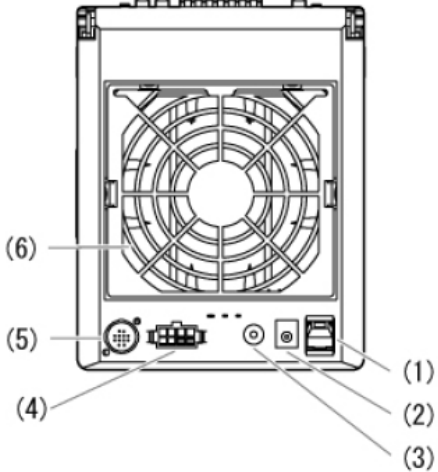
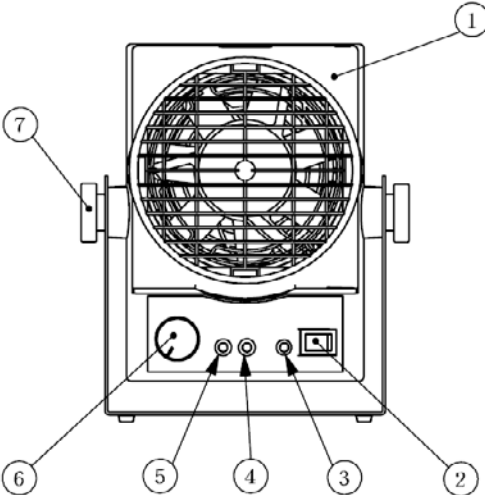
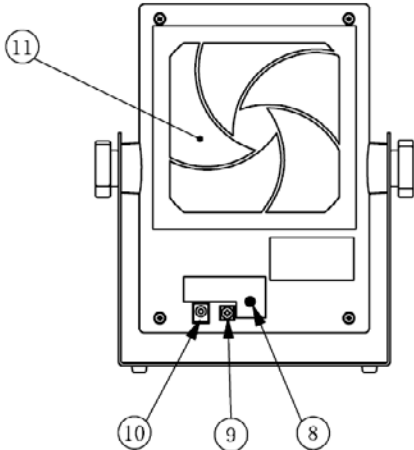
Recommendable replacement
Model ZJ-FA20

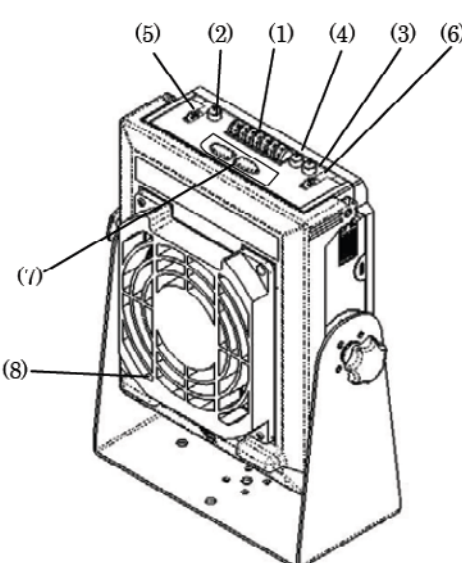
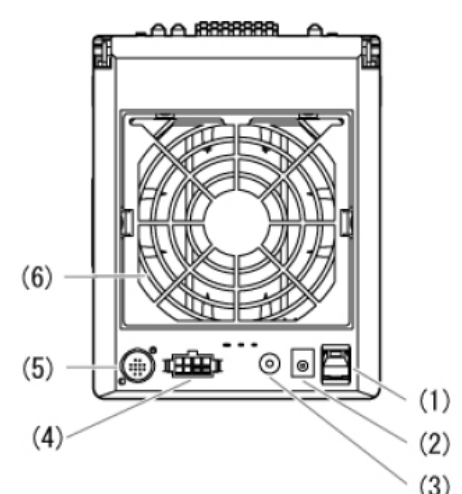
Ionization Area vs. Ionization Time



Measurement Conditions
 Airflow: Max.
 Ionization time: $\pm 1,000$ V to ± 100 V
 Plate monitor: 150 X 150 mm, 20 pF

[Operation methods]

<p>Product discontinuation Model ZJ-FA10(-01) Model ZJ-FA10V(-1/-D/-D1)</p>	<p>Recommendable replacement Model ZJ-FA20</p>
<p>Model ZJ-FA10(-01)</p> <p style="text-align: center;">Front</p>  <p>Parts names (5) Mode selection switch (6) Indicator status selection switch (7) Adjustor keys (8) Front panel</p> <p style="text-align: center;">Rear</p>  <p>Parts names (1) Power input selection switch (6) Rear cover</p>	<p>Model ZJ-FA20</p> <p style="text-align: center;">Front</p>  <p>Parts names (1) Front cover (2) Power switch (6) Fan speed adjustment control (7) Body fixing screw and angle adjustment washer</p> <p style="text-align: center;">Rear</p>  <p>Parts names (8) Ion balance adjustment control</p>

<p>Product discontinuation Model ZJ-FA10(-01) Model ZJ-FA10V(-1/-D/-D1)</p>	<p>Recommendable replacement Model ZJ-FA20</p>
<p>Model ZJ-FA10V(-1/-D/-D1) Front</p>  <p>Parts names (5) Mode selection switch (6) Indicator status selection switch (7) Adjustor keys (8) Front panel</p> <p>Rear</p>  <p>Parts names (1) Power input selection switch (6) Rear cover</p>	

Specifications and prices in this product news are as of the issue date and are subject to change without notice. Only main changes in specifications are described in this document. Please be sure to read the relevant catalogs, datasheets, product specifications, instructions, and manuals for precautions and necessary information when using products.